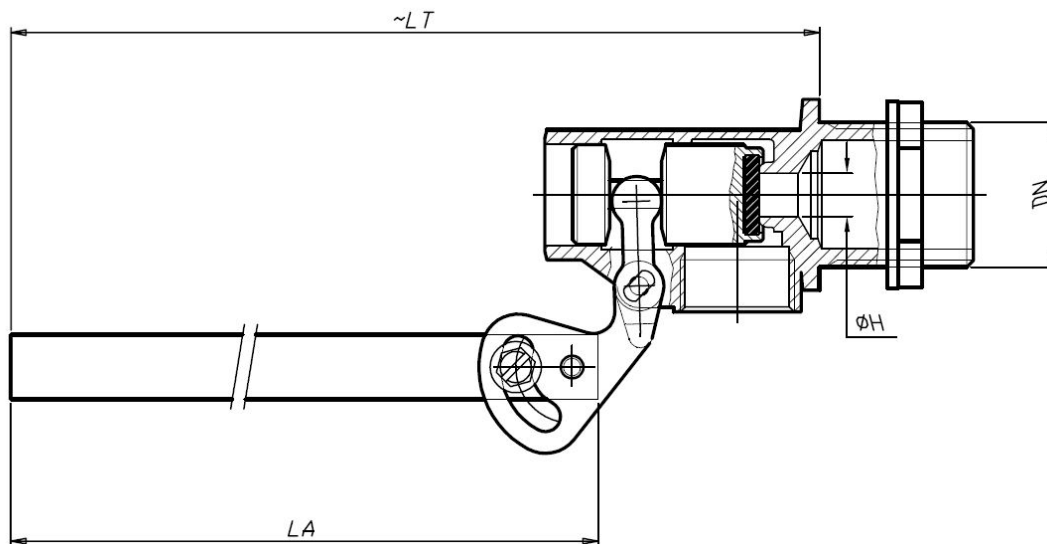


Vlotterkraan en bal

Maatschets vlotterkraan messing exclusief bal 2600B

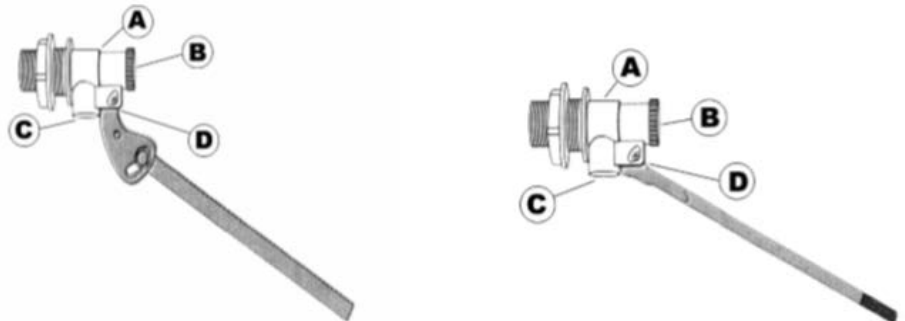


Artikel nr.	DN	øH	LT	LA	Bar	Liter/min	Code	ø est.
							Ball	
2600-012012	1/2"G	ø8	~350	300	8	119	295-120	120
					6	103		
					4	84		
					2	59		
2600-034034	3/4"G	ø8	~350	300	8	119	295-120	120
					6	103		
					4	84		
					2	59		
2600-100100	1"G	ø10	~455	400	6	163	295-150	150
					4	133		
					2	94		
2600-114114	1"1/4G	ø20	~570	505	4	528	295-180	180
					2	373		
2600-112112	1"1/2G	ø21	~585	505	4	581	295-220	220
					2	411		
2600-200200	2"G	ø26	~595	505	3	773	295-220	220
					2	631		

Flotterbal voor vlotterkraan

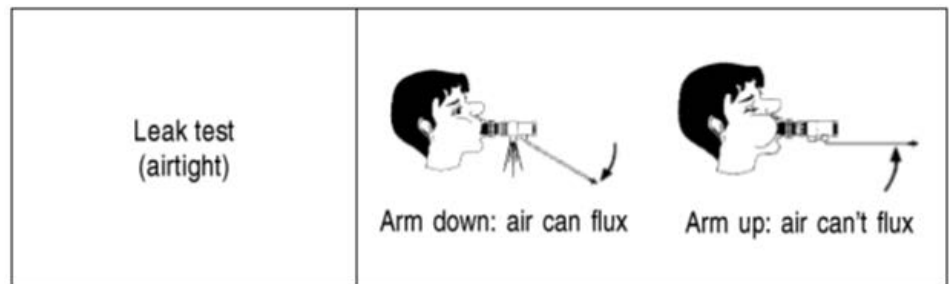
Check:

- A - No Fractures on the body
- B - Stopper well screwed up (if included)
- C - Tail pipe well screwed up (if included)
- D - Regular and complete movement without obstacles of arm and piston



Execute:

Very important – Pay attention!
In order to prevent the danger of floodings in case of break of the tap, always equip the tank with adequate **overflow and warning pipe** having a diameter greater than or equal to feed pipe diameter.



Installation:

1. Unscrew the nut from the tail
2. Put a rubber gasket on the tail if you would avoid water leakage in case of excessive filling of tank;
3. Insert the tail into the hole of the tank; pay attention: the hole marked with "C" in figure must be turned towards the bottom;
4. Screw the nut on the tail until locking;
5. Fix the ball on the arm: a float valve without ball cannot work!
6. If the arm is flat, adjust the position of the ball on the arm depending on the pressure of water line: the longer is the distance from the valve, the greater is the pressure the valve can close.
7. Adjust the level at which the valve closes by acting on screw on lever "D" (adjustable flat arms) or by folding the arm (fixed round arms). Do not over-fold the arm! It is enough soft in order to fold itself of some degrees but it does not have to be forced too much quickly otherwise could be fallen apart.

